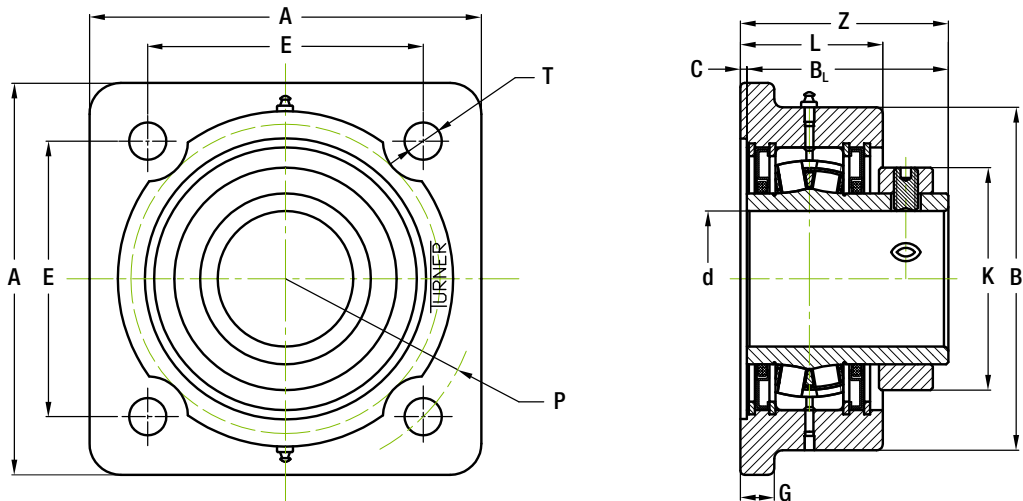


SFB4 SERIES

SPHERICAL ROLLER BEARINGS



Bearing Number	Dimensions (in)											Bolt Hole T (in)	Dynamic Load Capacity Cr (lbs.) (KN)	Static Load Capacity Cor (lbs.) (KN)
	d	A	E	C*	P	Z	L	B _L	B	K	G			
SFB4 1-15/16T SFB4 2T	1-15/16 2	5.188	4.078	0.172	5.750	3.047	2.250	2.875	4.750	2.875	0.750	0.591	20,460 91.0	25,630 114.0
SFB4 2-3/16T SFB4 2-1/4T	2-3/16 2-1/4	5.875	4.500	0.172	6.375	3.297	2.438	3.125	5.125	3.250	0.813	0.709	23,600 105.0	28,325 126.0
SFB4 2-7/16T SFB4 2-1/2T	2-7/16 2-1/2	6.125	4.781	0.172	6.750	3.547	2.656	3.375	5.750	4.000	1.031	0.709	37,630 167.4	46,960 208.9
SFB4 2-11/16T SFB4 2-3/4T SFB4 2-15/16T SFB4 3T	2-11/16 2-3/4 2-15/16 3	7.188	5.578	0.297	7.875	3.921	2.875	3.625	6.625	4.500	0.938	0.866	41,590 185.0	53,050 236.0
SFB4 3-7/16T	3-7/16	8.375	6.719	0.297	9.500	4.328	3.281	4.031	7.625	5.125	1.125	0.866	63,280 281.5	84,100 374.1
SFB4 3-15/16T	3-15/16	9.500	7.609	0.297	10.750	4.891	3.563	4.594	8.375	6.000	1.188	0.984	84,410 375.5	112,580 500.8

*Dimensions listed are for non-expansion units, for expansion flange blocks (SFB4), adjust +0.100" / -0.000".

TURNER®

Mounted Bearings

Turner mounted bearings are a product of Baart Industrial Group (Baart). While Baart has tried to ensure the accuracy of the information contained in this document, Baart accepts no responsibility for inaccurate in, or changes to, such information. All rights reserved. ©2018